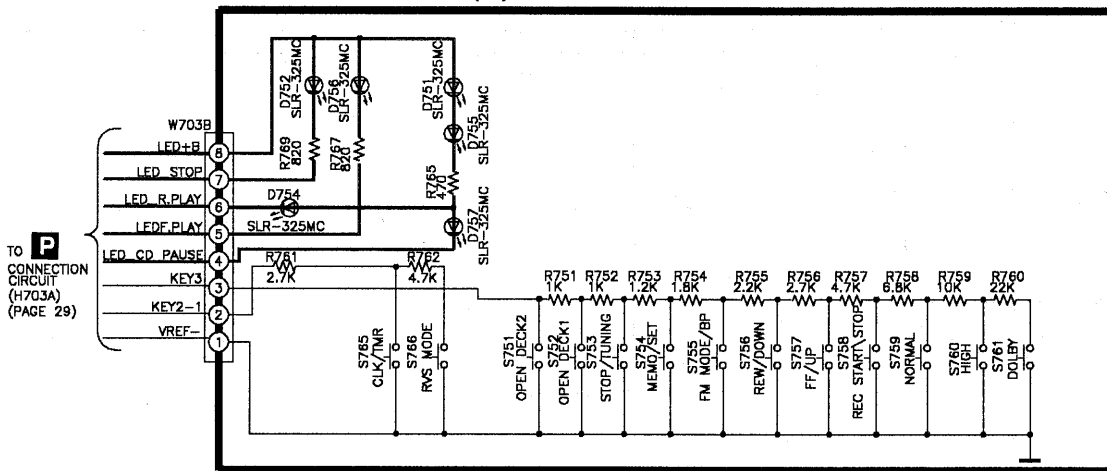
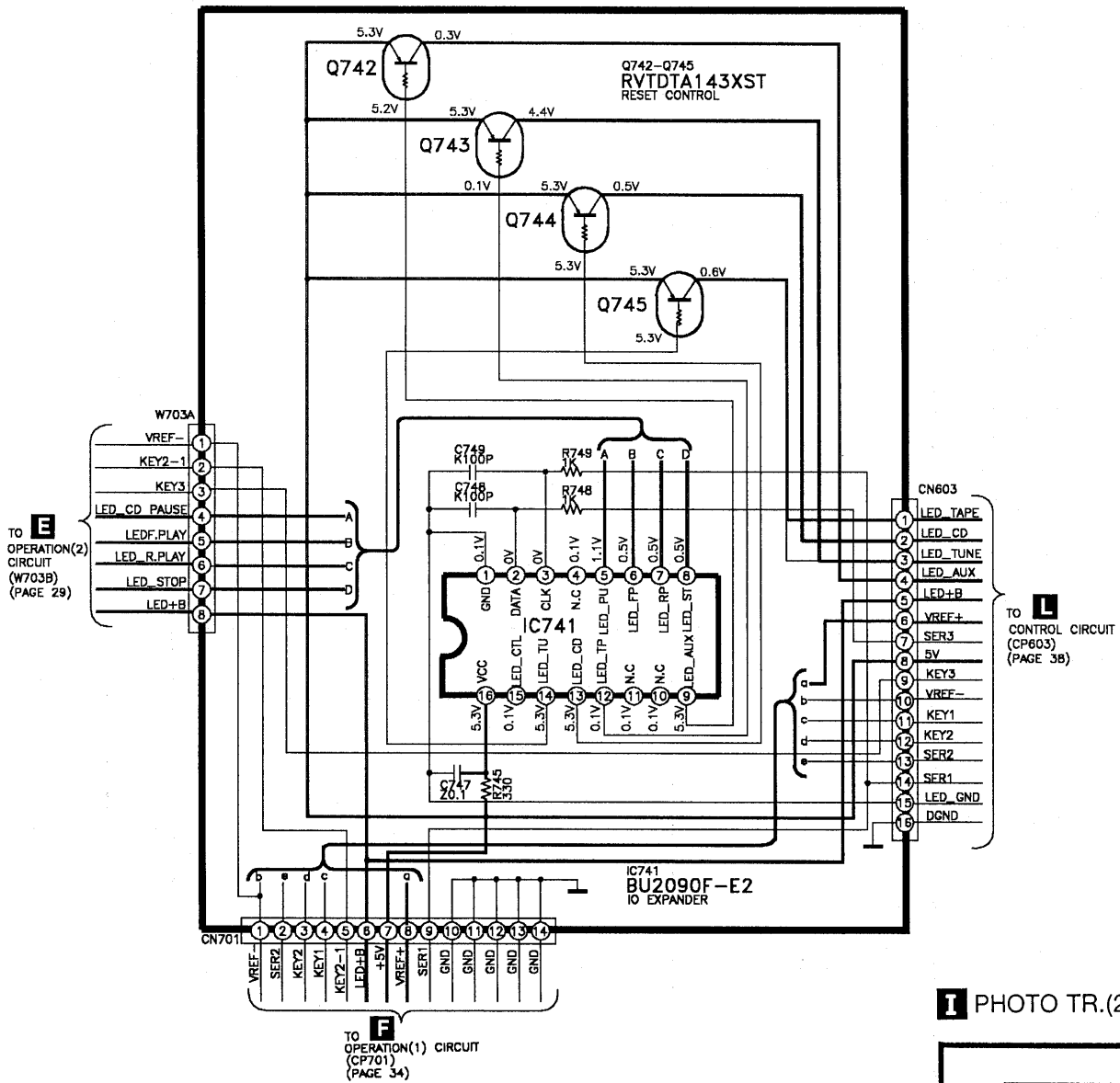


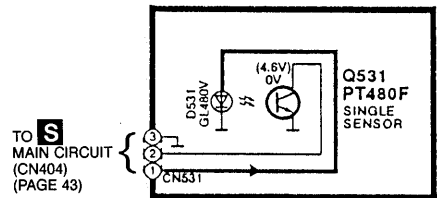
E OPERATION (2) CIRCUIT



P CONNECTION CIRCUIT

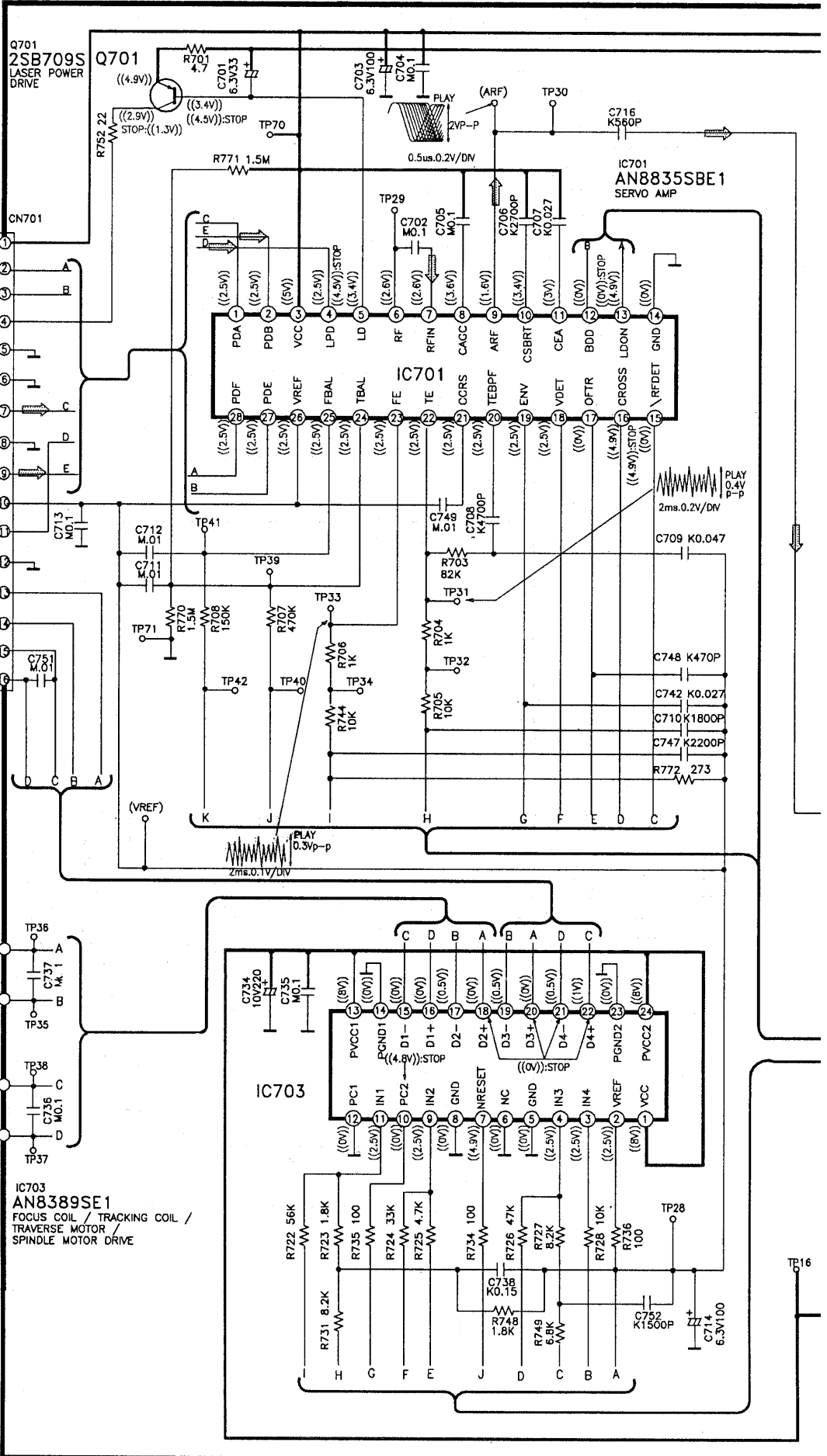
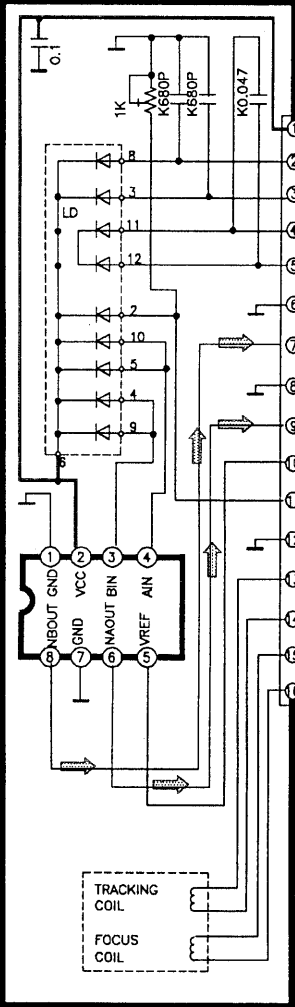


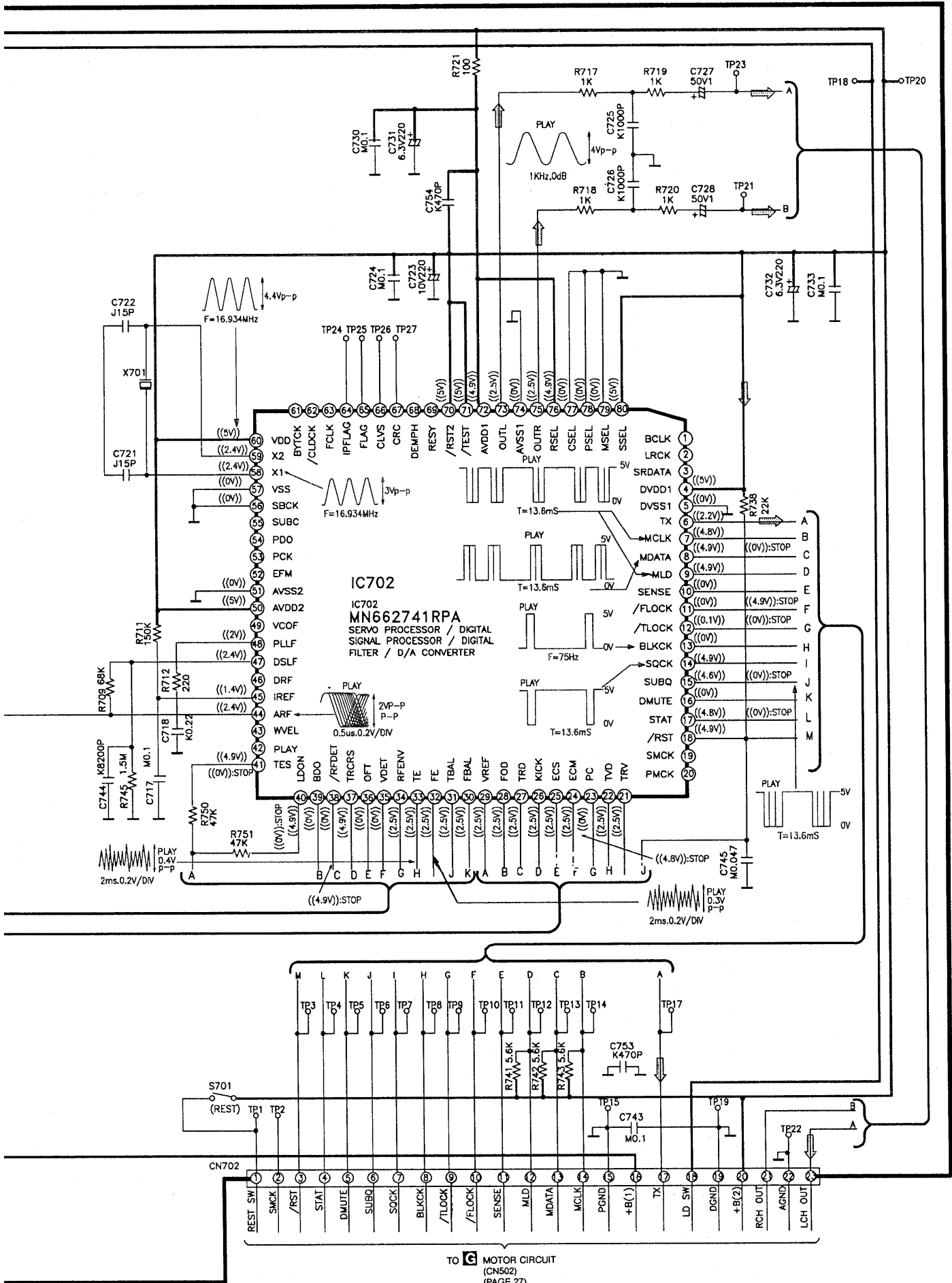
I PHOTO TR.(2) CIRCUIT



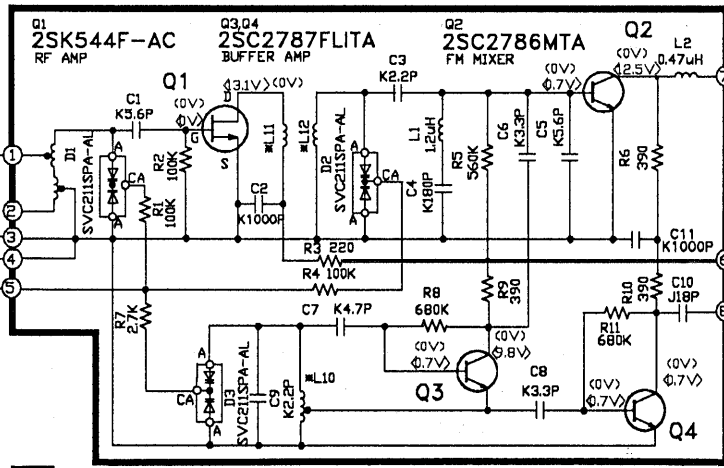
A SERVO CIRCUIT

OPTICAL PICKUP

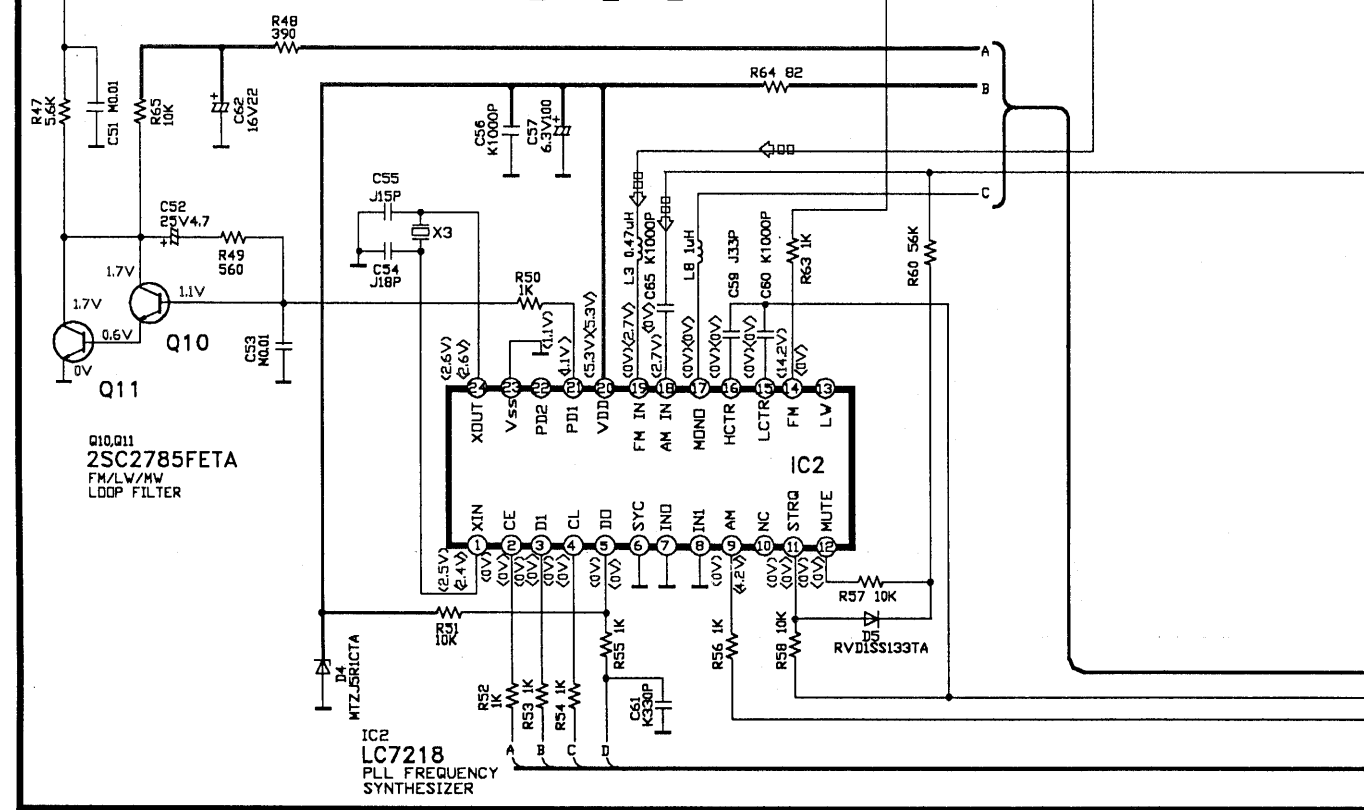
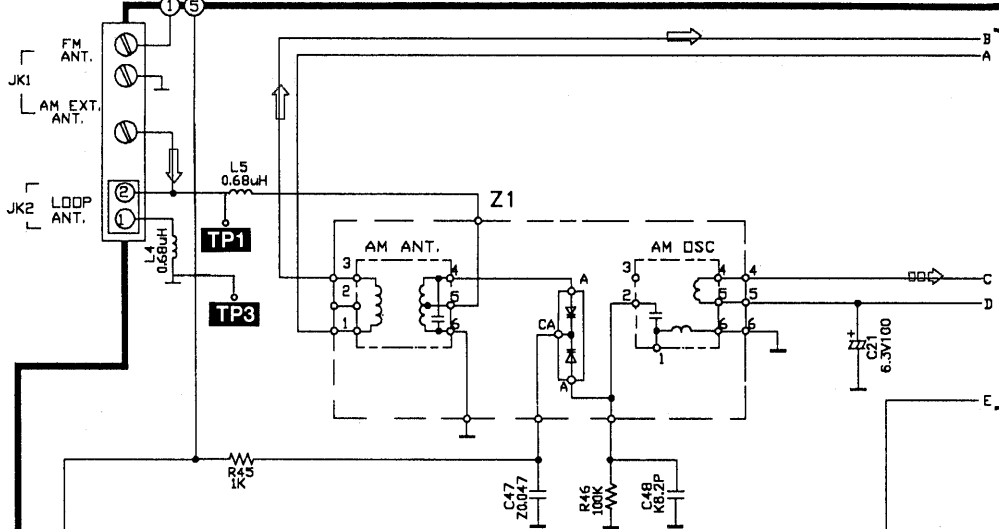


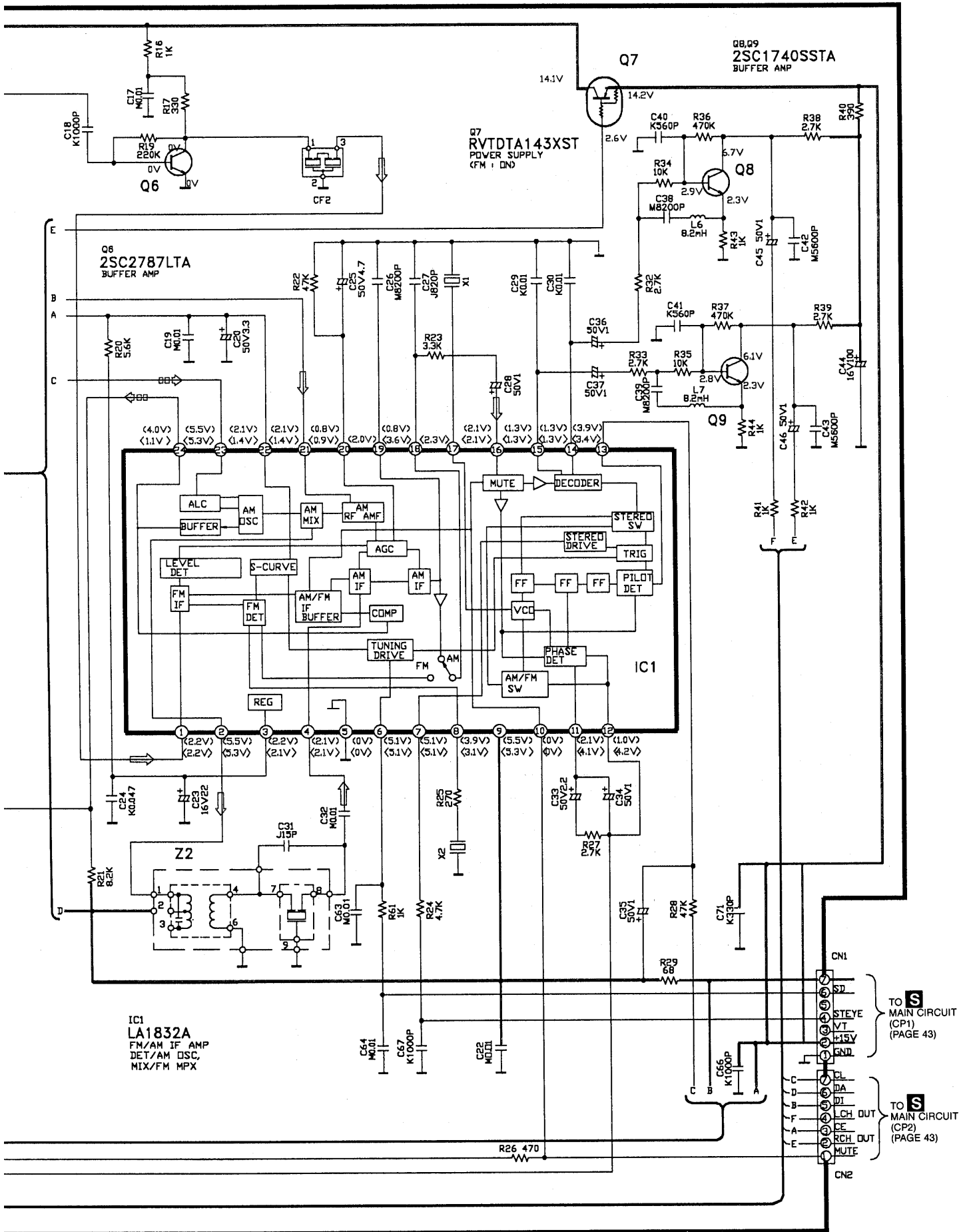


T TUNER PACK CIRCUIT

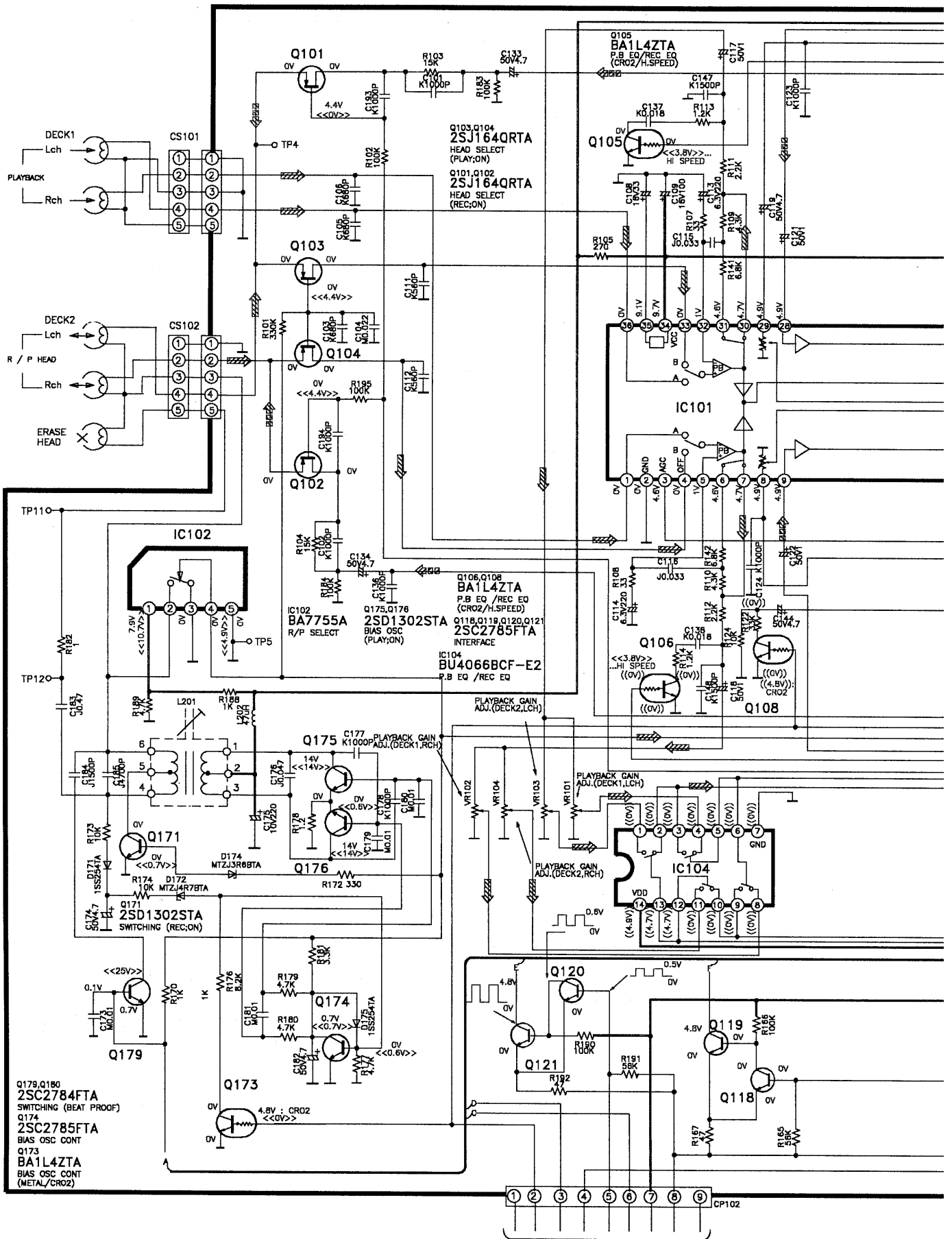


B TUNER CIRCUIT



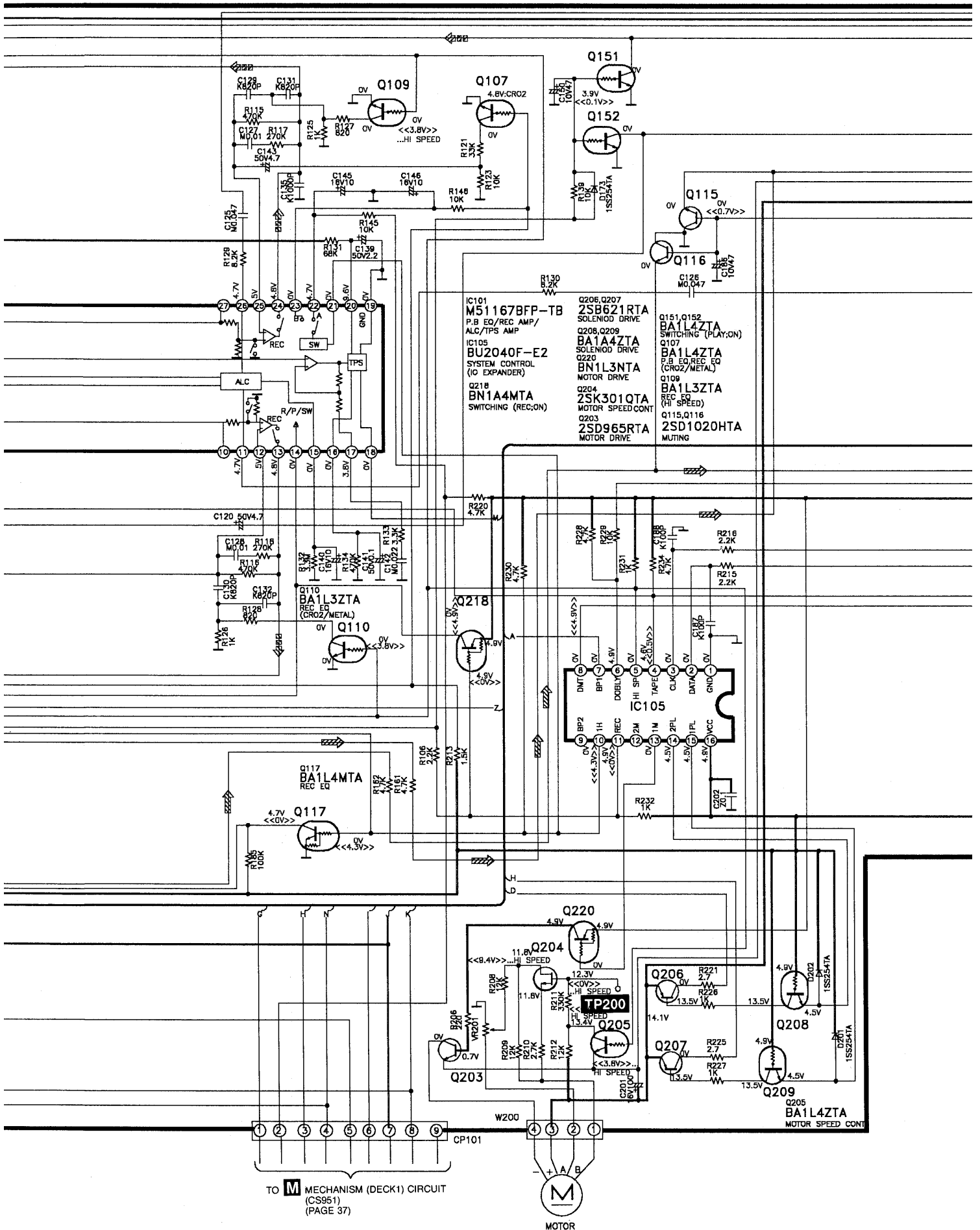


DECK CIRCUIT



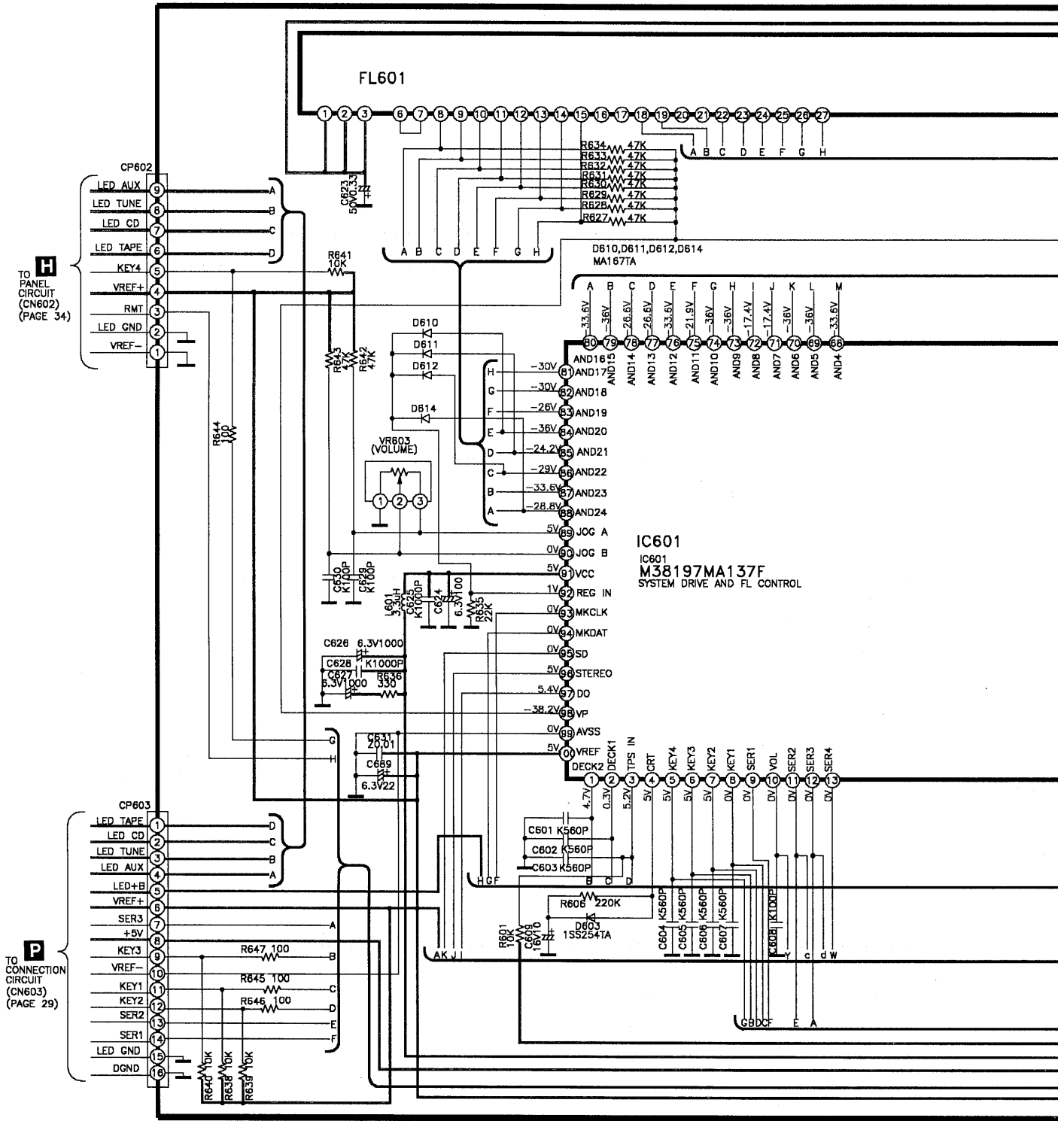
Q179, Q180
2SC2784FTA
SWITCHING (BEAT PROOF)
Q174
2SC2785FTA
BIAS OSC CONT
Q173
BA1L4ZTA
BIAS OSC CONT
(METAL/CRO2)

TO MECHANISM (DECK2) CIRCUIT
(CS971)
(PAGE 37)

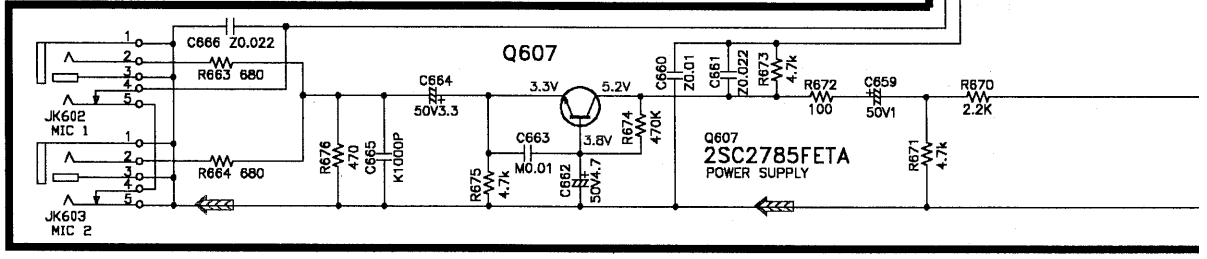


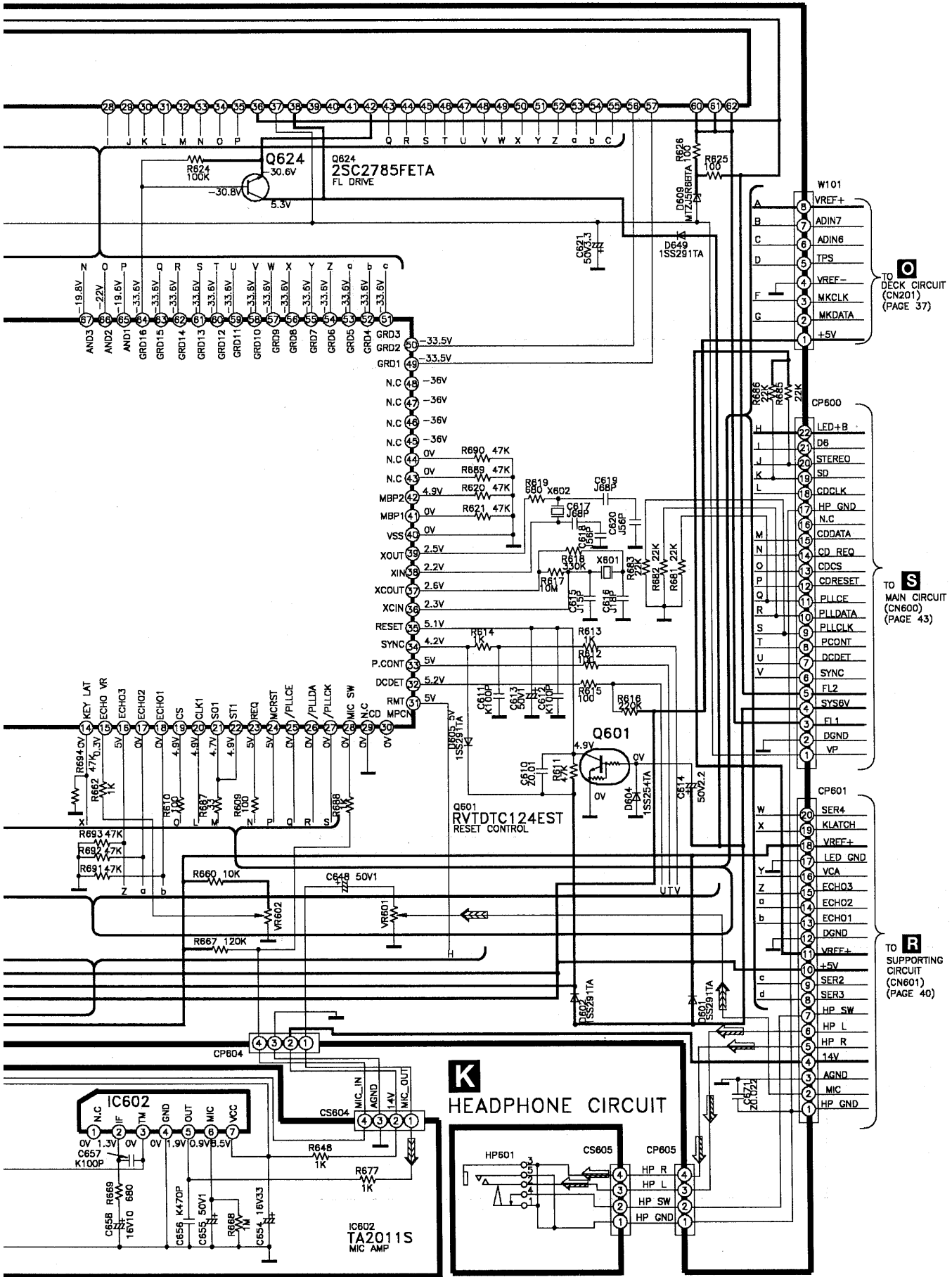
TO M MECHANISM (DECK1) CIRCUIT (CS951) (PAGE 37)

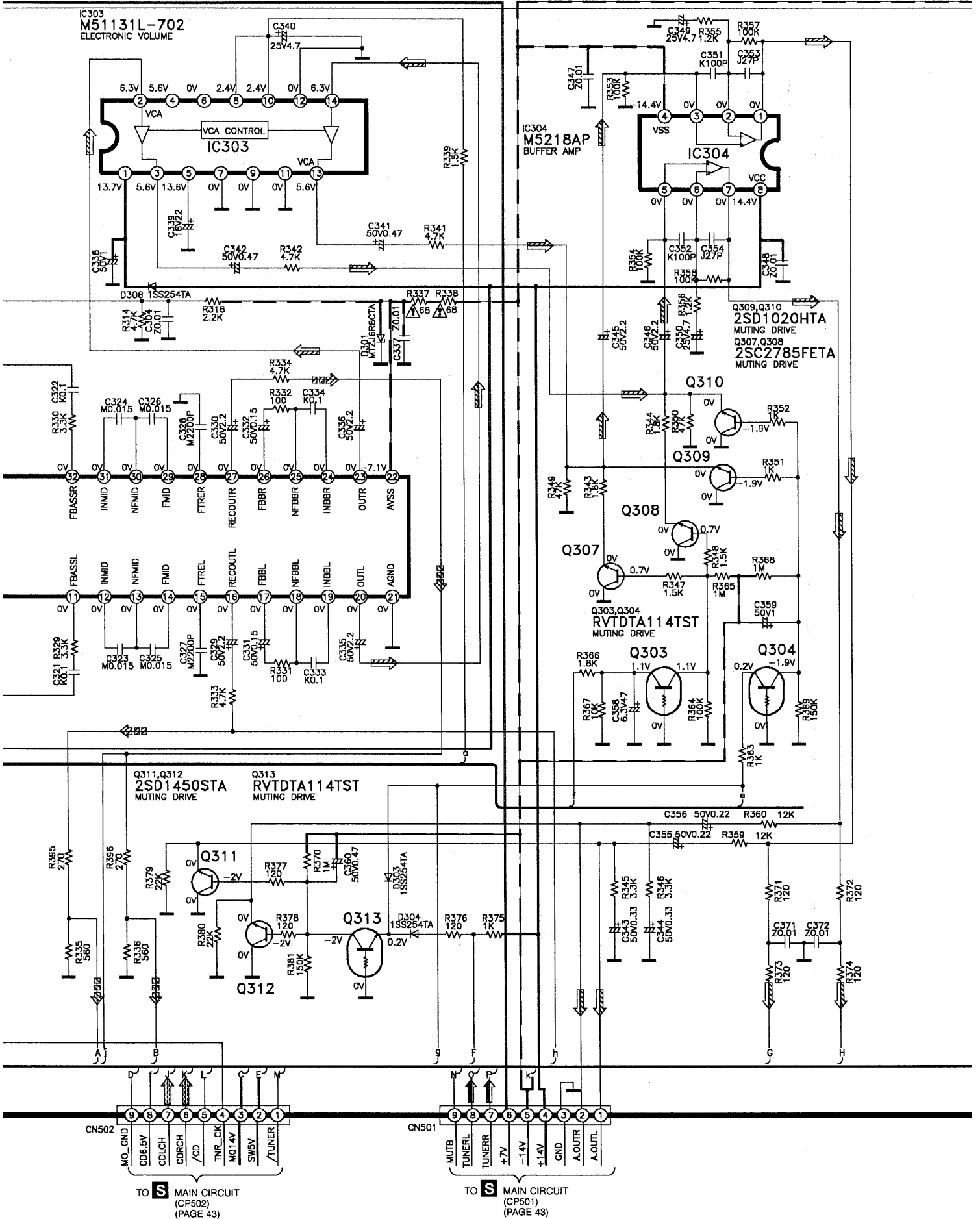
L CONTROL CIRCUIT

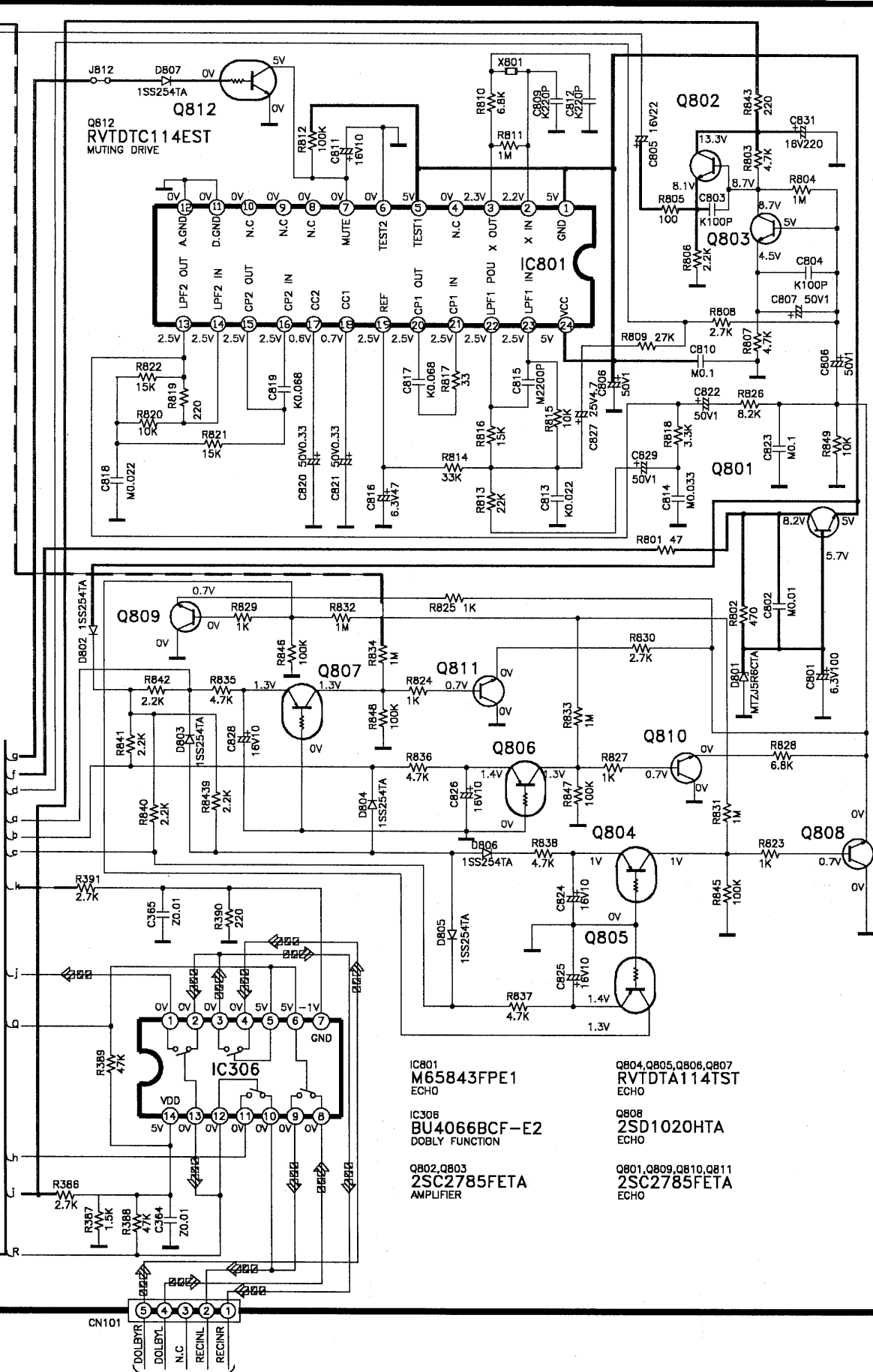


V MIC CIRCUIT









- | | |
|---|--|
| IC801
M65843FPE1
ECHO | Q804, Q805, Q806, Q807
RVTDTA114TST
ECHO |
| IC306
BU4066BCF-E2
DOBLY FUNCTION | Q808
2SD1020HTA
ECHO |
| Q802, Q803
2SC2785FETA
AMPLIFIER | Q801, Q809, Q810, Q811
2SC2785FETA
ECHO |

TO DECK CIRCUIT (H101) (PAGE 37)